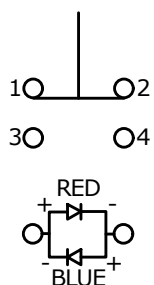


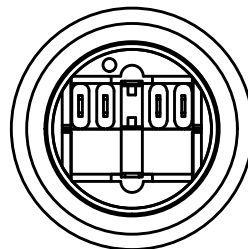
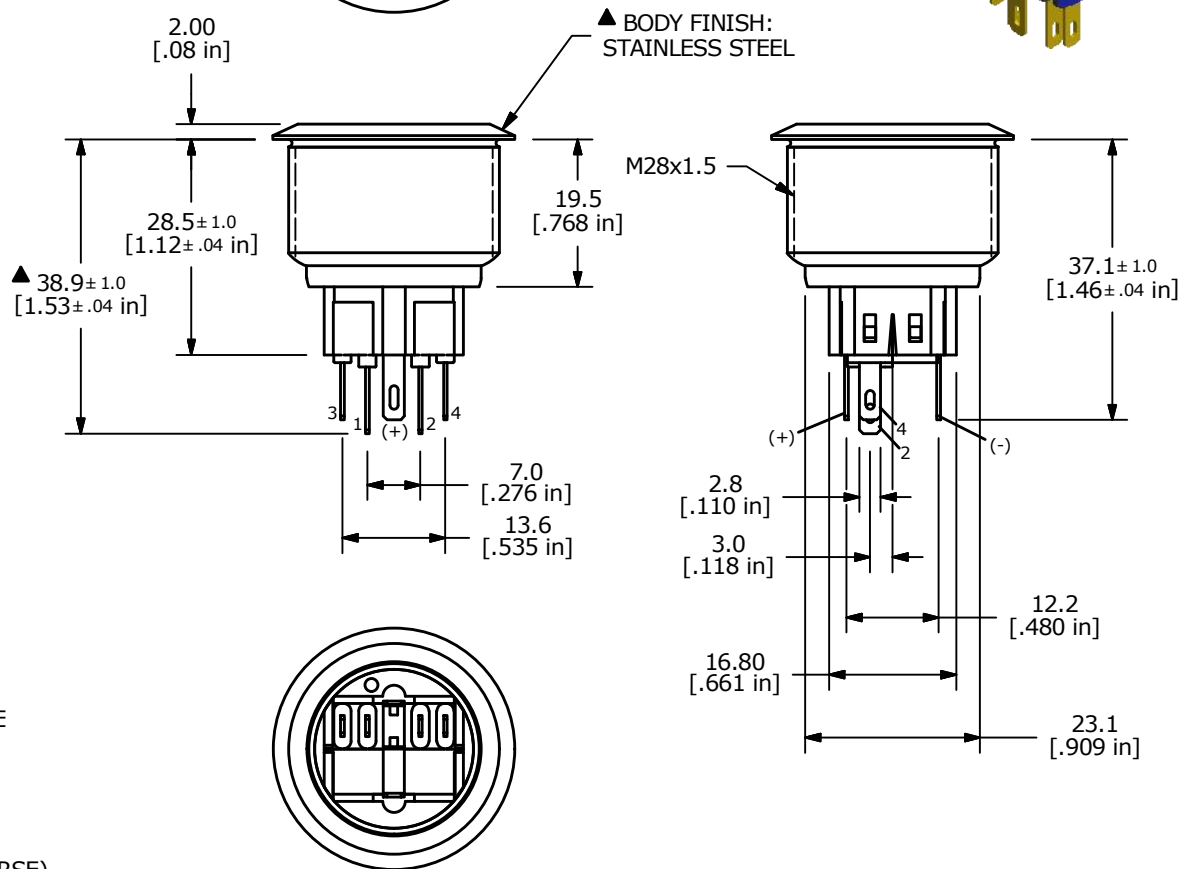
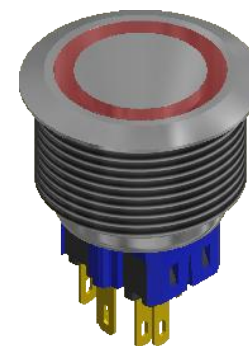
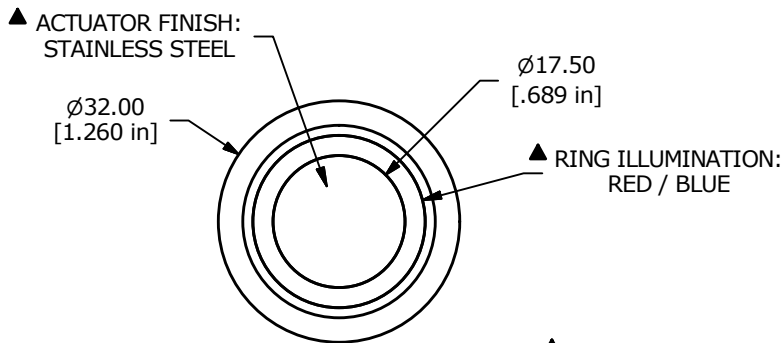
PANEL CUTOUT
MAX. PANEL THICKNESS 10mm



▲ SPDT ON-(OFF)/OFF-(ON)
CONTACT CONFIGURATION
() DENOTES MOMENTARY FUNCTION

NOTE:

1. ALL DIMENSIONS IN MM [INCH]
2. GENERAL TOLERANCE: X.X = ± 0.4
X.XX = ± 0.25
3. TERMINAL NOS. FOR REF. ONLY
- ▲ 4. RATING: 2A @ 48VDC
5. CONTACT RESISTANCE: 50m Ω MAX. @ 1A 12VDC
6. INSULATION RESISTANCE: 1,000M Ω @ 500VDC
7. DIELECTRIC STRENGTH: 2,000VAC MIN. FOR 1 MINUTE
8. ELECTRICAL LIFE: 50,000 CYCLES
9. OPERATING TEMPERATURE: -20°C TO 55°C
10. INGRESS PROTECTION: IP66
11. SUPPLIED HARDWARE: O-RING AND HEXNUT
12. ▲ DENOTES CRITICAL PARAMETER
- ▲ 13. ILLUMINATION COLOR: RED (FORWARD), BLUE (REVERSE)
- ▲ 14. ILLUMINATION VOLTAGE: RED 1.8V; BLUE 2.8V



C	23839	UPDATED RATING TO IP66	4/8/19	MJR
B	22039	CORRECT NOTES	11/4/15	MW
REV	PCR NO	DESCRIPTION	DATE	BY

E-SWITCH®				
TITLE PV9F2Y0SS-3H1				
SCALE	DATE	DR	DWG	REV
1:1	12/16/2014	rc	52-PV9F2Y0SS3H1	C

THE INFORMATION CONTAINED IN THIS DOCUMENT IS PROPRIETARY TO E-SWITCH AND IS NOT TO BE COPIED OR TRANSFERRED